



**Ratio thermometer with motorized focus, patented crosshair laser and video sighting for non-contact temperature measurement from 250 °C to 1400 °C**



**Features:**

- Rugged and compact ratio thermometer with motorized focus and excellent optical resolution of 75:1
- Innovative video sighting and crosshair laser for easy sensor alignment under all viewing conditions
- Switchable two-step brightness reduction filter for best viewing conditions on bright objects
- Easy on site sensor setup, video alignment and real-time process monitoring with IRmobile Android app or CompactPlus Connect software
- Integrated Smart Ratio Mode (SRM) - for demanding applications with adaptive slope requirements
- Usable up to 60 °C ambient temperature without cooling

**General specifications**

|                      |  |
|----------------------|--|
| Environmental rating | IP 65 (NEMA-4)   |
| Ambient temperature  | 0 ... 60 °C  |
| Storage temperature  | -40 ... 85 °C  |
| Relative humidity    | 10 – 95 %, non-condensing  |
| Vibration            | IEC 60068-2-6 (sinus shaped)<br>IEC 60068-2-64 (broadband noise) |
| Shock                | IEC 60068-2-27 (25G and 50G)                                     |
| Weight               | 518 g  |

**Electrical specifications**

|                    |  |
|--------------------|--|
| Outputs analog     | 2x 0/4 – 20 mA   |
| Output impedances  | max. 500 Ω (with 8 – 30 V DC)  |
| Digital Interfaces | USB, RS485 <sup>1)</sup> , Modbus RTU <sup>1)</sup>  |
| I/O-Pin            | Programmable in-/output: selectable as alarm output (open collector 24 V / 1 A), input for triggered signal output and peak hold function or as analog input for external emissivity or slope adjustment |
| Power supply       | USB powered or 8 – 30 V DC <sup>2)</sup>   |
| Power consumption  | 2.5 W (USB) or 4 W (8 – 30 V DC)   |
| Aiming laser       | Laser 635 nm/ <1 mW/ ON/OFF via software / app   |

**Measurement specifications**

| Temperature ranges  | 1-Channel   | 2-Channel              |
|---|---|------------------------|
|   | 250 ... 1400 °C   | 300 ... 1400 °C (R2ML) |
| Spectral range  | 1.35 – 1.75 μm  |                        |
| Optical resolution (90 % energy)                                | 75:1  |                        |
| Motorized focus   | CFV: 200 mm to 400 mm,<br>SFV: 350 mm to infinity; infinitely adjustable  |                        |
| System accuracy <sup>3)</sup> (at T <sub>Amb</sub> = 23 ± 5 °C) | ± (0.5 % of reading + 2 °C)   |                        |
| Repeatability <sup>3)</sup> (at T <sub>Amb</sub> = 23 ± 5 °C)   | ± 0.3 % of reading  |                        |
| Temperature resolution  | 0.1 K   |                        |
| Response time (90 % signal) <sup>4)</sup>                       | 1 ms – 10 s   |                        |
| Slope (adjustable via app / software or analog input)           | 0.700 – 1.300   |                        |
| Emissivity (adjustable via app / software or analog input)      | 0.050 – 1.100   |                        |
| Signal processing (parameter adjustable via app / software)     | 1 color / 2 color mode/ attenuation monitoring/ alarms/ peak hold, valley hold, average/ extended hold function with threshold and hysteresis, Smart Ratio Mode (SRM) |                        |
| Software / App  | optris CompactPlus Connect / IRmobile   |                        |

**Specifications visual camera**

|                             |                   |
|-----------------------------|-------------------|
| Optical resolution          | 1280 x 960 pixels |
| FOV (HxV)                   | 8° x 6°           |
| Maximum image transfer rate | 30 fps            |

1) Optional: electrically isolated  
 2) USB powered unit works only in digital communication mode  
 3) ε = 1. response time 1 s; no attenuation / Specification valid for 5 - 95% of measurement range  
 4) With dynamic adaptation to low signal levels

# optris CSvision R2M

## Optical parameters

The vario optics of the CSvision allows a smooth focusing of the optics to the desired distance.

The following tables show examples of measurement distances and the corresponding measurement spot sizes

The sensors are available in two versions:

**Standard-focus vario optics (SFV):**

adjustable 350 mm till infinity

**Close-focus vario optics (CFV):**

adjustable 200 mm till 400 mm

Alternatively you can use the [optris Spot size calculator](#) or the [optris optic calculator app](#).

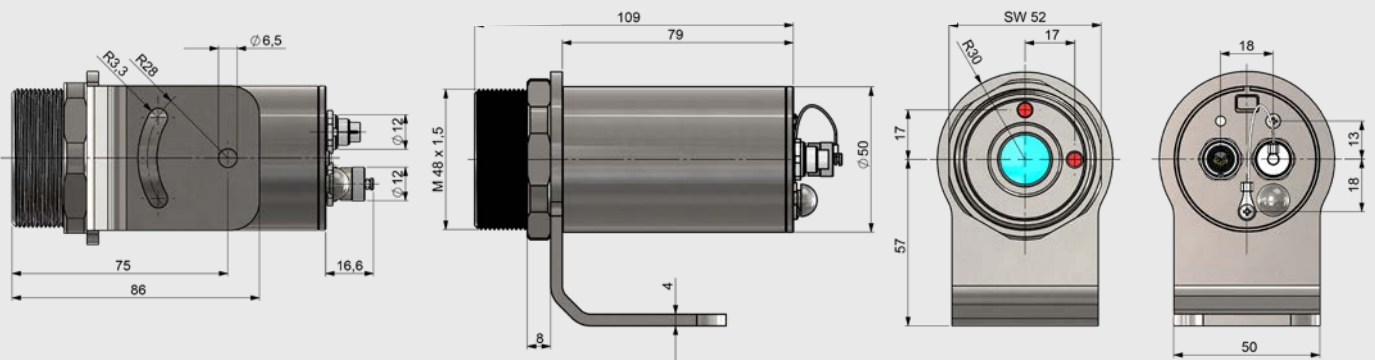
### 2ML CFV (D:S = 75:1)

|                      |    |     |     |     |     |     |
|----------------------|----|-----|-----|-----|-----|-----|
| Spot size            | mm | 2.7 | 3.3 | 4   | 4.7 | 5.3 |
| Measurement distance | mm | 200 | 250 | 300 | 350 | 400 |

### 2ML SFV (D:S = 75:1)

|                      |    |     |     |     |      |      |      |      |      |
|----------------------|----|-----|-----|-----|------|------|------|------|------|
| Spot size            | mm | 4.7 | 6.7 | 10  | 13.3 | 20   | 26.7 | 33.3 | 66.7 |
| Measurement distance | mm | 350 | 500 | 750 | 1000 | 1500 | 2000 | 2500 | 5000 |

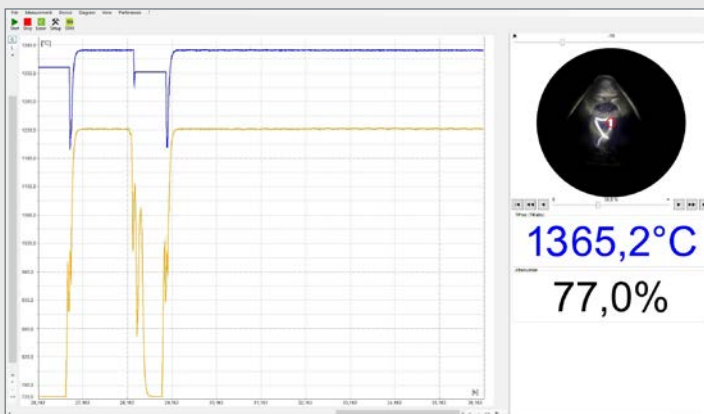
## Dimensions in mm



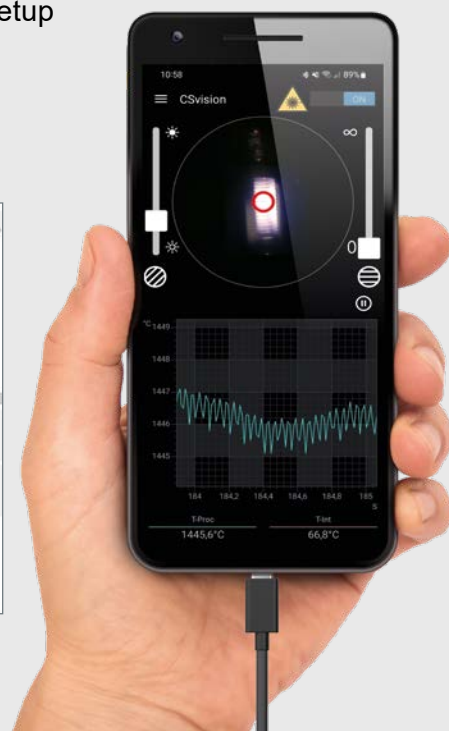
## Software / App



Built-in USB interface for an easy setup via smartphone and IRmobile app.



Software CompactPlus Connect (included) for extended setup on Windows computers.



The innovative **two-step brightness reduction filter** uncovers tiny details: here of a filament.

**Zoom and rotate the image with just one finger.**

That's precise alignment made easy.